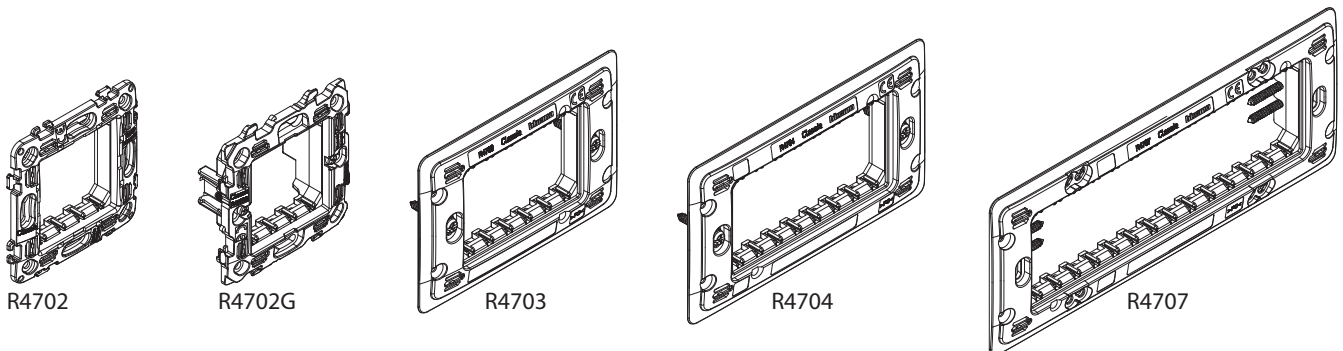


Classia  
Supporting frames

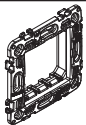
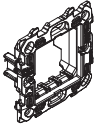
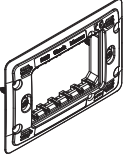
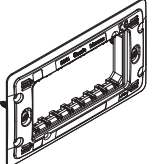
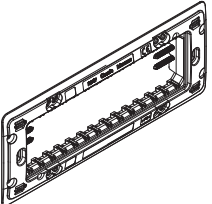
R4702 - R4702G  
R4703 - R4704 - R4707



**Use**

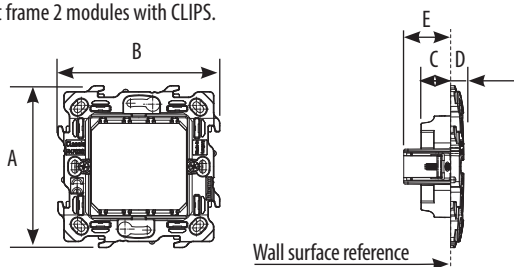
Supporting frames for mounting Classia mechanisms.

**Range**

Supports for flush-mounting	Frame modules	Item
	2	R4702
	2	R4702G
	3	R4703
	4	R4704
	7	R4707

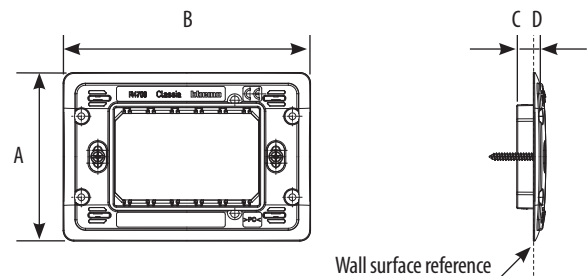
**Overall dimensions (mm)**

Support frame 2 modules with CLIPS.



**Overall dimensions (mm) (continued)**

Support frame 2/3/4/7 modules.



	A	B	C	D	E
<b>R4702</b>	75	75	8.6	5.5	
<b>R4702G</b>	76	76	14	6.2	22
<b>R4703</b>	79	116	8	6	
<b>R4704</b>	79	138.4	8	6	
<b>R4707</b>	79	202	13.3	6	

**Mounting**

The supporting frames are screwed to flush mounting boxes.

**Technical characteristics**

**- Mechanical characteristics**

Impact test: IK 04

**- Material characteristics**

R4702: stainless steel and polycarbonate glass fiber filled

All the other supports polycarbonate

Halogen free.

UV resistant.

Self-extinguishing: 650° C / 30 s

**- Climatic characteristics**

Storage temperature: - 10° C to + 70° C

Use temperature: - 5° C to + 35° C

**Cleaning**

Clean the surface with a cloth.

Do not use acetone, tar-removing cleaning agents or trichloroethylene.

**Caution: Always test before using special cleaning products.**

**Standards and approvals**

Compliance with standards IEC/EN 60669-1

Refer to e.catalogue.