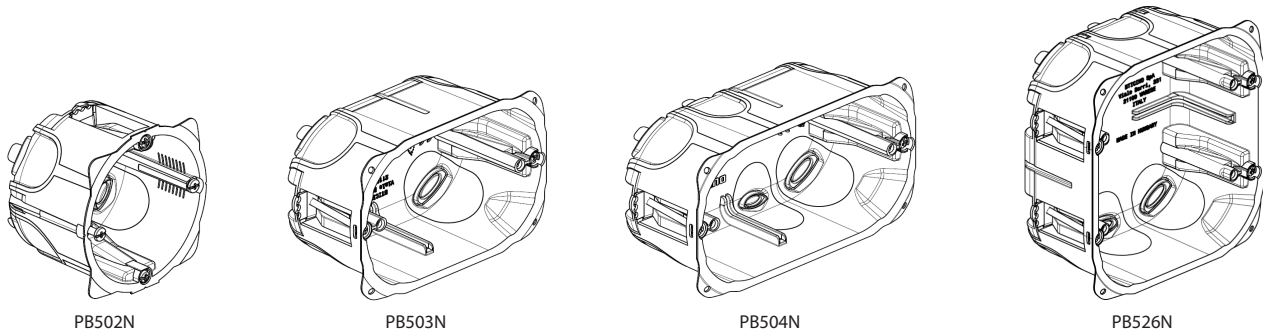


Flush-mounting boxes for dry partitions

Cat. No(s): PB502N - PB503N - PB504N - PB506N - PB526N



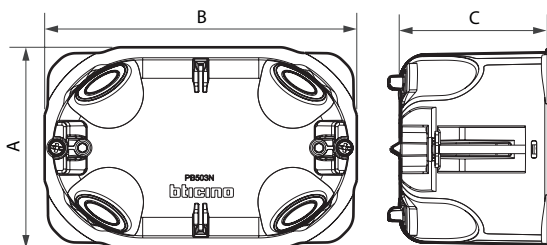
1. USE

Boxes for dry partition designed for being airtight by the elastic membranes that fit tightly around the conduits or cables. Particularly suitable for low-energy houses, it allows to reduce the annual energy bill of 6 kWh / m² / year. It Improves occupant comfort and indoor air quality. Fixation to the board with large metal clamps. Boxes allow to install wiring devices by screws or clamps. For mounting 2 to 6 modules in a monoblock box.

2. RANGE

BOXES Ø 67/68 mm Wiring devices installation by screws or clamps. Possibility to separate circuit by removable partition.	Cat. No	Removable partition
2 modules	PB502N	-
3 modules	PB503N	PB503V
4 modules	PB504N	PB503V
6 modules	PB506N	PB503V
3 + 3 modules	PB526N	PB526V

3. DIMENSIONS (mm)



Cat. Nos	A	B	C
PB502N	71	71	50
PB503N	71	110	52
PB504N	71	132	52
PB506N	71	183	52
PB526N	116	111	52

4. INSTALLATION

Ø of drilling 67/68 mm
Multiple options for cable entries which can be knocked out without the need for a tool.

Cat. Nos	Number of entries
PB502N - 2 modules	2 x 16-20 mm - 2 x 20-25 mm
PB503N - 3 modules	4 x 20-25 mm
PB504N - 4 modules	2 x 16-20 mm - 4 x 20-25 mm
PB506N - 6 modules	6 x 20-25 mm
PB526N - 3+3 modules	6 x 20-25 mm

5. TECHNICAL CHARACTERISTICS

Multi-material flush-mounting boxes are particularly suitable for refurbishment projects and for screw mounting accessories. Screws with No.1 Phillips head, protective cap and 28 mm shaft.

■ 5.1 Mechanical characteristics

Protection against solid bodies and liquids: IP 40
Protection against impacts: IK 04

■ 5.2 Material characteristics

Boxes: Rigid Polypropylene halogen free
Entries: SEBS
Screws: Grey hardened nickel and zinc plated steel
Self-extinguishing: + 850° C / 30 s

■ 5.2 Climatic characteristics

Storage temperature: - 5° C to + 60° C
Use temperature: - 5° C to + 40° C

6. STANDARDS AND APPROVALS

CEI EN 60670-1